



# CRYSTAL UNIT

## SX-6035

### Applications

- Cellular / PHS / Cordless Telephones / Pagers

### Features

- Dimensions (6.0 × 3.5 × 1.0)
- Ceramic SMD Package
- Vacuum Seam Sealed
- Tight Tolerance and Stability
- Reflow Soldering / Emboss Taping

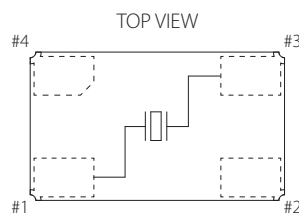
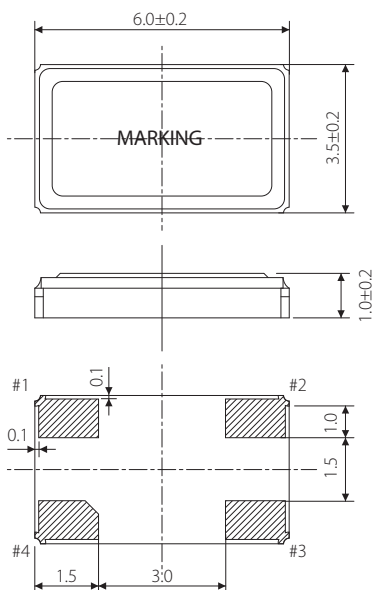
### Specifications



Model	SX-6035	
Nominal frequency range	8.000~50.000 MHz	
Crystal cut	Fundamental [AT-cut]	
Storage temperature range	-40~+90°C	
Operating temperature range	-10~+60°C	-30~+85°C
Frequency temperature characteristics (Ref. to +25°C)	$\pm 10 \times 10^{-6}$	$\pm 15 \times 10^{-6}$
Frequency tolerance (at +25°C)	$\pm 10 \times 10^{-6}$	
Equivalent series resistance	80 Ω: 8.000~8.999 MHz 60 Ω: 9.000~9.999 MHz 50 Ω: 10.000~11.999 MHz 40 Ω: 12.000~24.999 MHz 30 Ω: 25.000~50.000 MHz	
Load capacitance	series, 10pF, 12pF, 16pF	
Shunt capacitance	5pF max.	
Level of drive	10 μW (100 μW max.)	

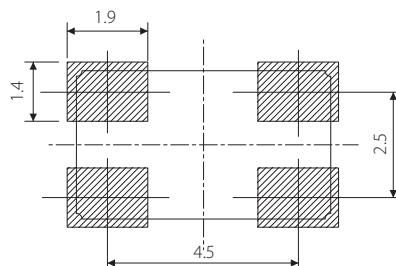
Package quantity: 1,000pcs max./Reel.

### Outline and Dimensions [unit:mm]



• #1, #3 : Crystal terminal / #2, #4 : Connected to cover (Please connect it with GND.)

Example of a Terminal Land Pattern



Maximum marking length		Marking
line1	line2	
7	7	Laser
ex.)		16. 0GA SIWARD